

XCD 1,9/80mm

The XCD 80mm, Hasselblad's fastest lens ever, has the largest aperture of any Hasselblad lens with f/1,9. Its slightly longer than normal focal length provides a 63mm full frame equivalency, making it perfect for portraits with its ability to produce a silky bokeh.

As part of the X System lens range, its compact size perfectly complements the compact X1D body. Like the other XCD lenses, the XCD 80mm lens has an integral central shutter offering a wide range of shutter speeds and full flash synchronisation up to 1/2000th second.

GENERAL LENS DATA

Focal length	80,5 mm
Equivalent Focal length (24x36)	63 mm
Aperture range	1,9 - 32
Angle of view diag/hor/vert	38°/31°/23°
Length/diameter	112/84 mm
Weight (excl. covers and lens shade)	1045 g
Filter diameter	77 mm
Product number	CP.HB.0000030.01

CLOSE FOCUS RANGE DATA

Minimum distance object to image plane	0,70 m
Maximum image scale	1:6,4
Corresponding area of coverage	28 x 21 cm
Corresponding exposure reduction	0.5 f-stops

COMPATIBILITY

- Hasselblad X1D cameras



LENS DESIGN

14 elements in 9 groups

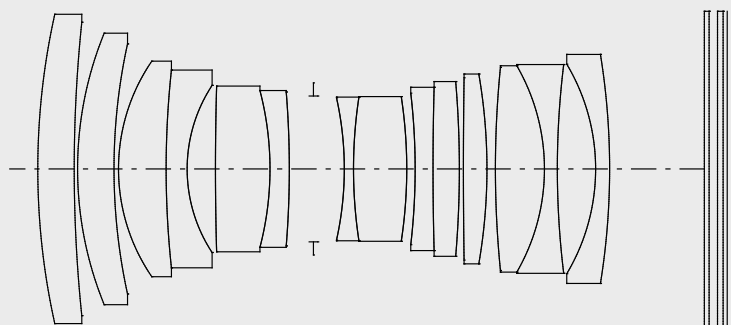
FOCUS TYPE

Front focusing

ENTRANCE PUPIL POSITION

61 mm in front of image plane

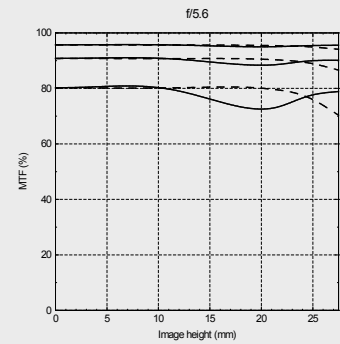
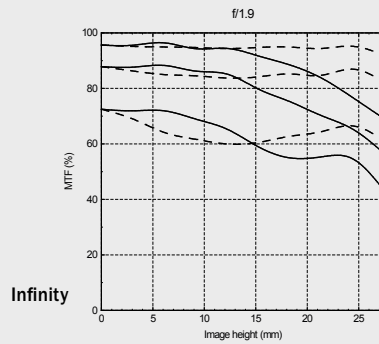
The entrance pupil position is the correct position of the axis of rotation when making a panorama image by combining individual images of a scene.



MTF

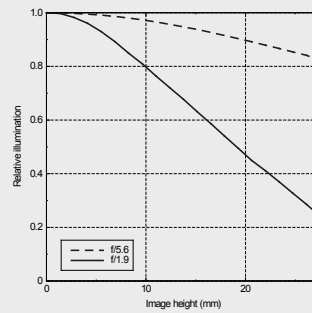
Modulation Transfer as a function of image height at infinity setting.

Sagittal slit orientation drawn with continuous line and tangential with dashed. White light. Spatial frequencies 10, 20 and 40 lp/mm



RELATIVE ILLUMINATION

Infinity setting



DISTORTION

Infinity setting

